

GRT

DRUM SCREEN

III.I MACHINE DESCRIPTION

The drum screen is recommended for small wastewater treatment plants both industrial and municipal wherever microfiltration (250 microns to 2,5 mm) is required.

The screen of the rotating drum is fabricated from AISI316L stainless steel wedge wire.

The effluent flowing through the screen deposits the solids on the screen surface that is slowly rotating and the screen material travels within the drum toward its discharge.

The stationary scraper removes the solids and discharge them into the collecting bin (not supplied).

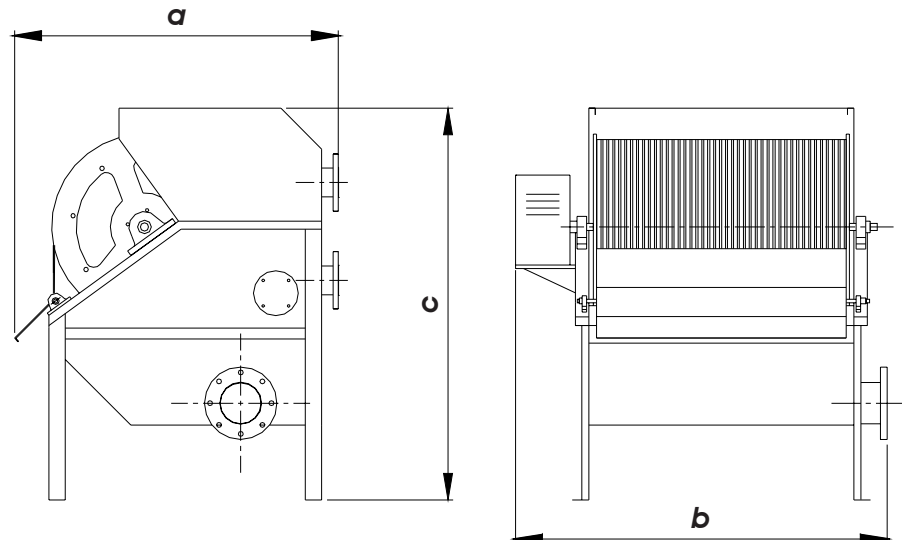
The screened effluent is collected in a chamber located beneath the drum.



III.II TECHNICAL DATA

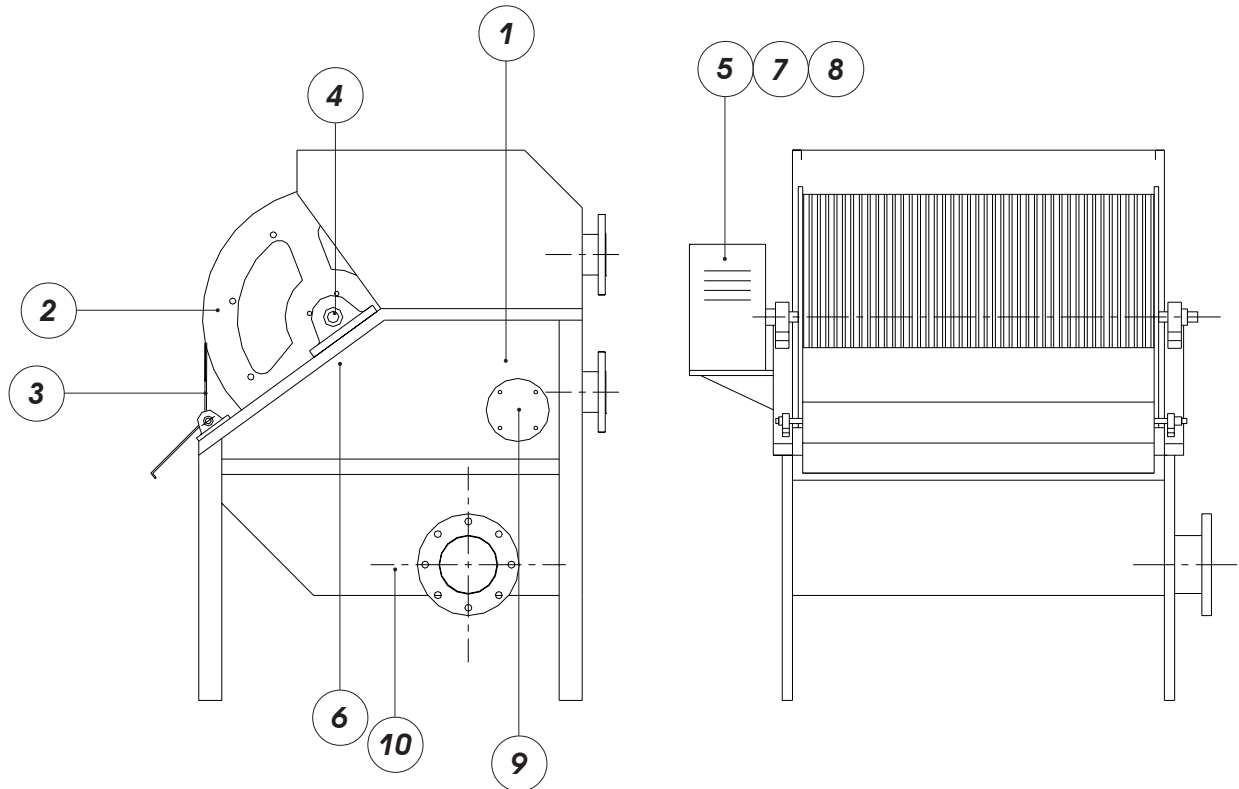
n.b.: the manufacturer may modify some dimensions or sizes without prior information!

n.b.: Capacity is referred to effluents at 200 ppm DS.



	a - mm (Length)	b - mm (Width)	c - mm (Height)	Hydraulic flow (m ³ /h) - depending on Spacing / mm								Installed power (kW)
				0.25	0.50	0.75	1.00	1.25	1.50	2.00	2.50	
GRT 40	550	800	1050	8	13	17	20	23	26	29	32	0.55
GRT 50/5	910	950	1200	26	45	60	80	90	95	100	106	0.55
GRT 50/6	1200	950	1460	55	99	130	165	188	210	215	230	0.55
GRT 70	1200	1150	1460	76	138	179	230	261	291	299	320	0.55
GRT 100	1200	1450	1460	110	198	255	330	376	425	428	460	0.55
GRT 130	1200	1750	1460	143	250	336	427	486	544	556	595	0.75
GRT 160	1200	2050	1460	176	316	415	528	601	672	688	736	0.75
GRT 200	1200	2450	1460	218	390	518	660	752	835	855	920	0.75
GRT 300	1300	3450	1560	407	731	970	1221	1390	1554	1590	1702	1.10

III.III SUPPLY COMPONENTS



n.b.: the manufacturer may modify some dimensions or sizes without prior information!

Drum Screen - GRV/O

- | | |
|----|---|
| 1 | AISI304 Main tank with inlet flange |
| 2 | Wedge wire rotating drum |
| 3 | Brass drum scraper with counterweight |
| 4 | Hanger bearings |
| 5 | Electric motor |
| 6 | Spray nozzles for internal backwash of the drum |
| 7 | Worm gears gearbox |
| 8 | Mechanical variator (3 to 18 rpm, only for mod. GRT130, 160, 200 and 300) |
| 9 | Inspection hatch |
| 10 | Drainage tank with outlet flange |

III.IV ACCESSORIES

- Control cabinet,
- Mechanical variator (3 to 18 rpm) for all models.

III.V OPTIONS

- AISI 316 Stainless Steel Construction.