

# GRV/C

## ■ ■ COUNTERCURRENT CLEANED BAR SCREEN

### II.I MACHINE DESCRIPTION

Bar screens are screening units dedicated to the WWTP both industrial or municipal and pumping stations.

The design of these units is particularly effective in channels as one unit combines both the screening and the conveying features discharging directly into a compactor or in a conveyor.

The effluent is filtrated while it flows through the screen, made of vertical bars. The solids having dimension bigger than the bars aperture are captured by the screen.

The removal of the screenings is performed by the chain driven rake comb. Screenings slide along the screen up to the top to be discharge in front of the screen into the receiving station.

The rake comb, cleaned by a scraper, is installed behind the screen.

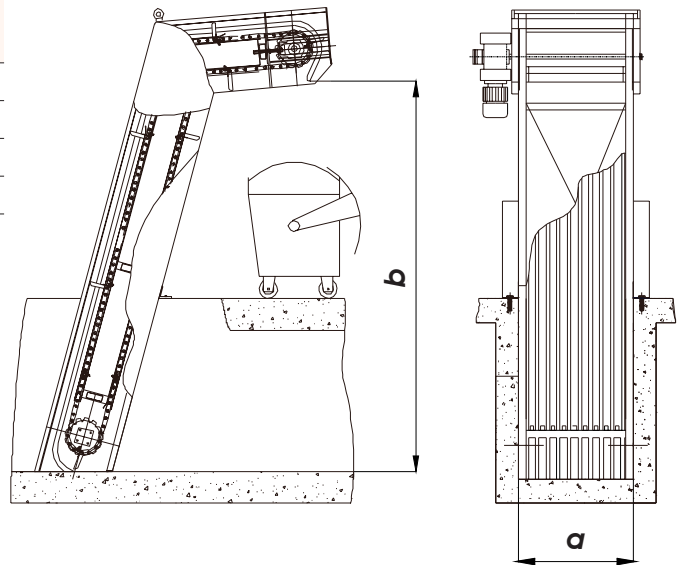


### II.II TECHNICAL DATA

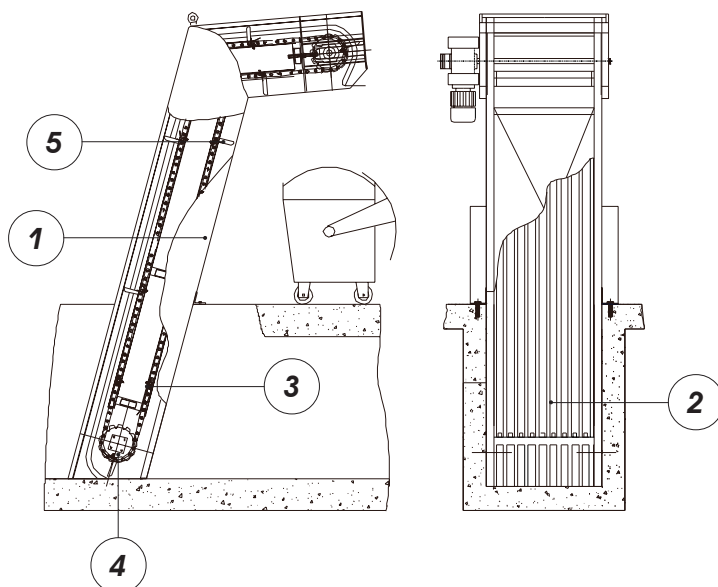
	a - mm (Width)	b - mm (Height)	Speed (m/min.)	Installed power (kW)
GRV/C 50	500	2500	4	0.75
GRV/C 60	600		4	0.75
GRV/C 80	800	-	4	0.75
GRV/C 100	1000	6500	4	0.75
GRV/C 120	1200		4	1.10

\* Machine standard inclination: 85°

**n.b.:** the manufacturer may modify some dimensions or sizes without prior information!



### II.III SUPPLY COMPONENTS



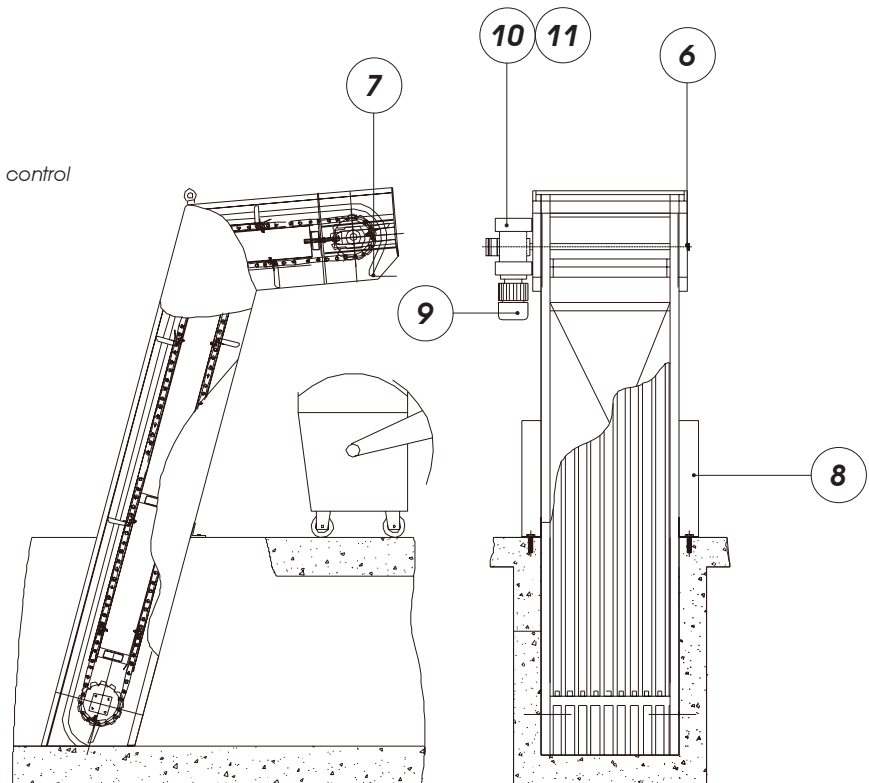
#### Countercurrent Cleaned Bar Screen - GRV/C

- 1 Supporting frame made of press formed painted carbon steel sheets
- 2 Filtering surface made of painted carbon steel vertical bars
- 3 Rake comb supported by a self-lubricated double chain
- 4 Sprocket carbon steel
- 5 Rake comb made of AISI304

■ **Countercurrent Cleaned Bar Screen**

*n.b.: the manufacturer may modify some dimensions or sizes without prior information!*

- 6 Support bearings fitted with chain tension control
- 7 Carbon steel scraper fitted with air struts
- 8 Supporting brackets
- 8 Electric motor
- 10 Worm gear gearmotor
- 11 Torque limit system



**II.IV ACCESSORIES**

- Control cabinet.

**II.V OPTIONS**

- AISI 304 Stainless Steel Construction.