

# GRV/O

## ■ HYDRAULIC SCREENS

### II.I MACHINE DESCRIPTION

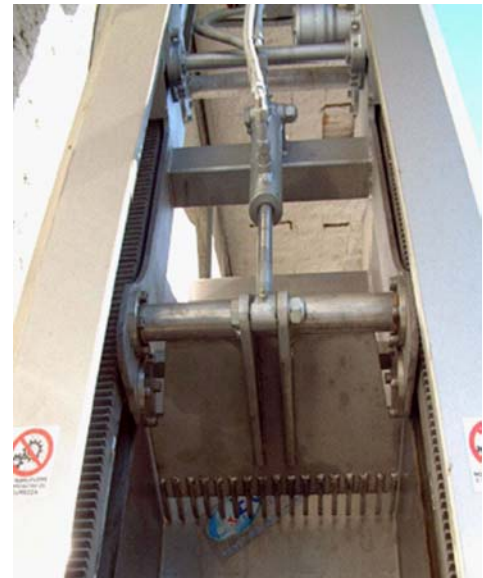
The GRV/O screens are hydraulic bar screens made of a fixed part and a mobile part. The fixed part is 15° inclined off the vertical and includes the supporting frame, the side frame and the bars. The mobile part is made of a mobile rake comb actuated by a hydraulic cylinder and a gearway.

The rake comb travels up/downwards driven by an hydraulic motor and sprocket. Once at the bottom of the screen the comb turns 90 degrees and insert its teeth in between the bars. The motor starts rotating in reverse and lift the comb and the trapped screenings upwards. In the bottom part bars are curved to follow the teeth path while entering the screen. This configuration avoid any blockage of hard hits on the comb.

Minimum spacing between the bars is 12 mm (1/2") but smaller apertures are available using a perforated screen, with brushes. The screen would be removable for maintenance and replacement. Available material of construction are: painted carbon steel, galvanized carbon steel, AISI304 stainless steel and AISI316 Stainless steel. Bars are made of tapered plates blockage-free.

The main advantage of this unit is the very long construction for high-depth channels as it can reach 15 m length (50 feet).

Due to the hydraulic construction the unit is suitable for explosion-risk environments, heavy duty working conditions or very corrosive or humid environments.

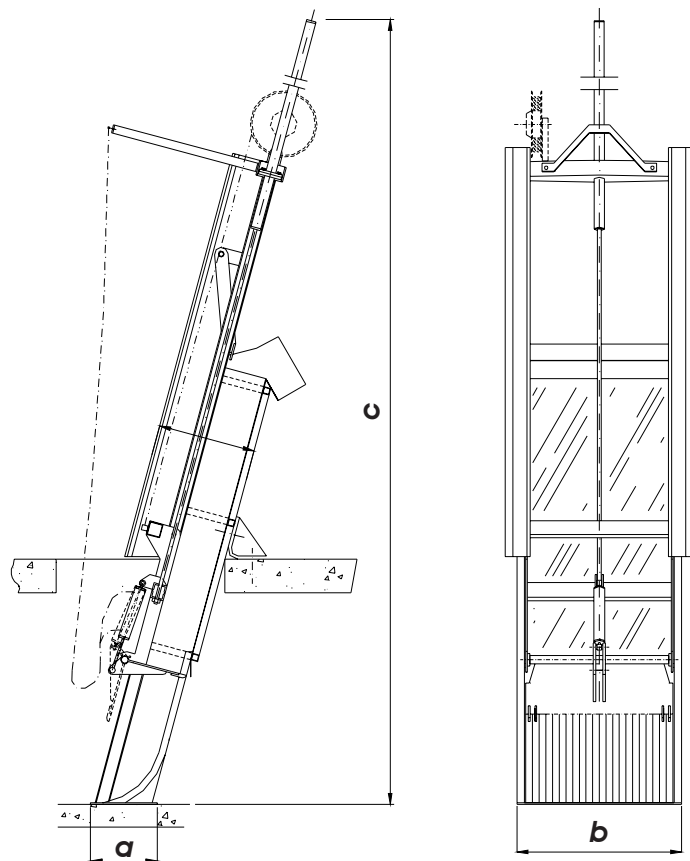


### II.II TECHNICAL DATA

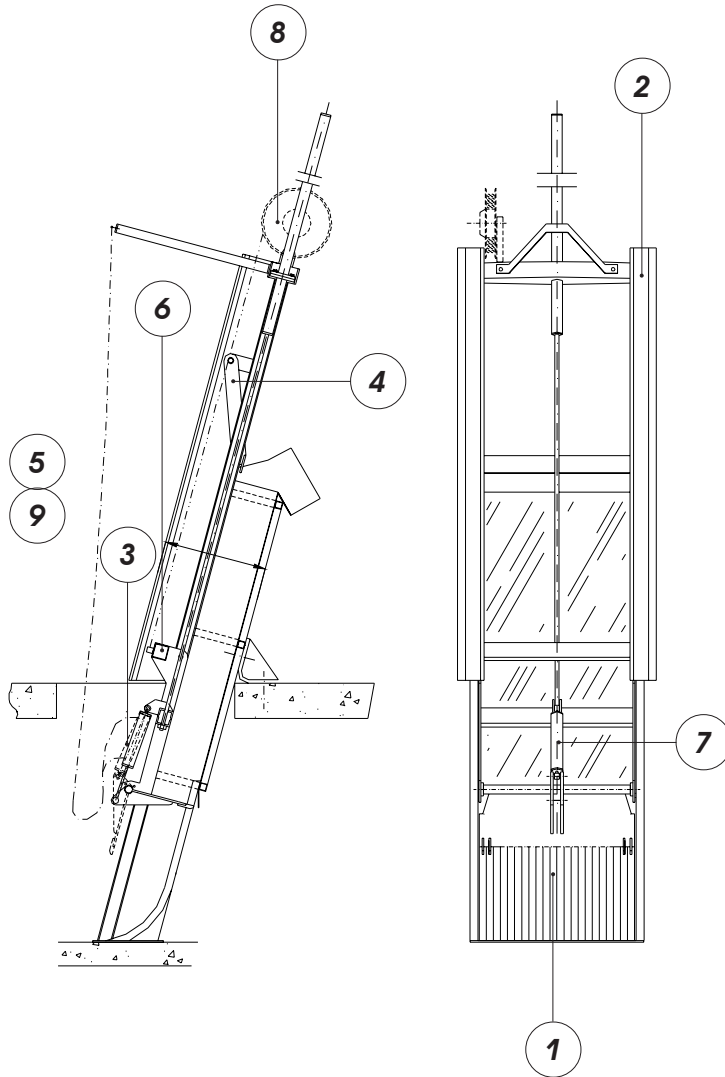
	a - mm (Length)	b - mm (Width)	c - mm (Height)	Comb drums (n.)	Installed power (kW)
<b>GRV/O 50</b>	400	500	<i>As per request</i>	1	1.5
<b>GRV/O 70</b>	400	700		1	1.5
<b>GRV/O 100</b>	400	1000		1	1.5
<b>GRV/O 130</b>	400	1300		1	1.5
<b>GRV/O 160</b>	400	1600		2	2.0
<b>GRV/O 180</b>	400	1800		2	2.0
<b>GRV/O 200</b>	400	2000		2	2.0
<b>GRV/O 240</b>	400	2400		2	2.0
<b>GRV/O 280</b>	400	2800		2	2.0
<b>GRV/O 300</b>	400	3000		2	2.0

**n.b.:** the manufacturer may modify some dimensions or sizes without prior information!

\* Machine standard inclination: 75°



**II.III SUPPLY COMPONENTS**



**Hydraulic Screens - GRV/O**

- 1 Bar screen
- 2 Supporting frame
- 3 Rake comb and support
- 4 Comb scraper
- 5 Hydraulic unit
- 6 Hydraulic motor
- 7 Hydraulic cylinder
- 8 Hose drum
- 9 Control panel

