

GRV/P - GRV/PC

BAR SCREEN

II.I MACHINE DESCRIPTION

Bar screens are screening units dedicated to the WWTP both industrial or municipal and pumping stations.



The design of these units is particularly effective in channels as each unit combines both the screening and the conveying features discharging directly into a compactor or in a conveyor.

The effluent is filtrated while it flows through the screen that is manufactured from vertical bars.

The solids having dimension bigger than the bars aperture are captured by the screen.

The removal of the screenings is performed by the chain driven rake comb.

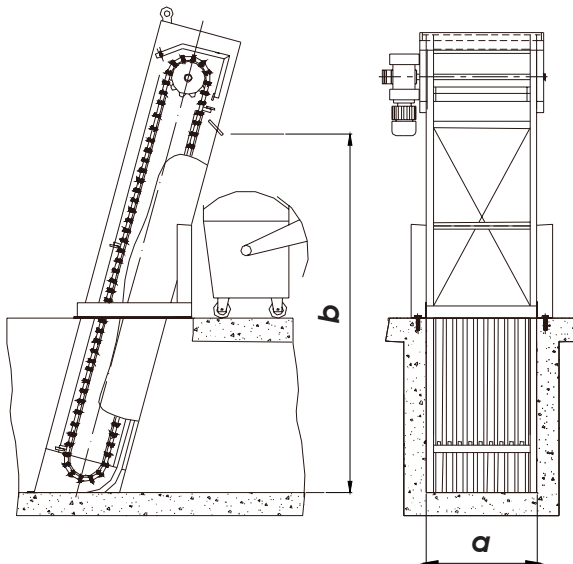
Screenings slide along the screen up to the top to be discharged in front of the screen into the receiving station.

The rake comb is cleaned by a scraper.

The model GRV/PC has a special "S" shape to improve the discharge of the screenings.

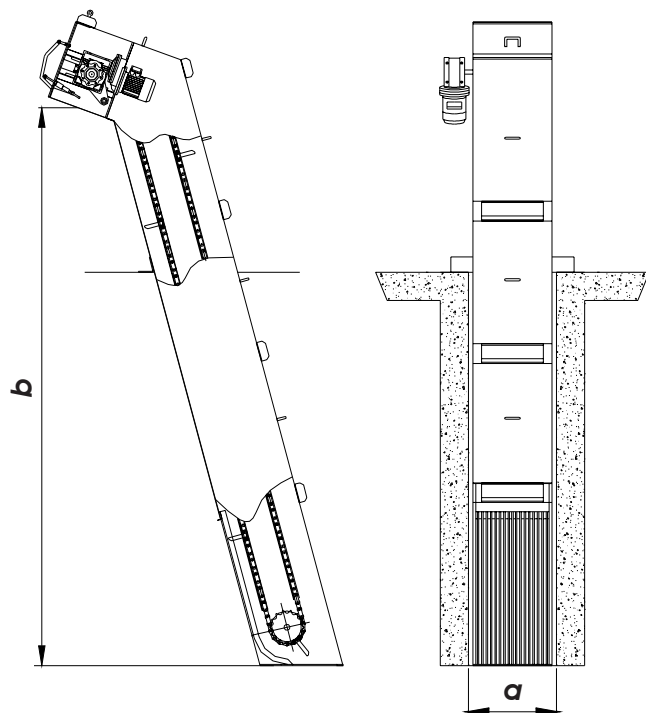
II.II TECHNICAL DATA

GVR/P model



	a - mm (Width)	b - mm (Height)	Speed (m/min.)	Installed power (kW)
GRV/P - PC 50	500	2500	4	0.75
GRV/P - PC 60	600		4	0.75
GRV/P - PC 80	800	-	4	0.75
GRV/P - PC 100	1000	6500	4	0.75
GRV/P - PC 120	1200		4	1.10

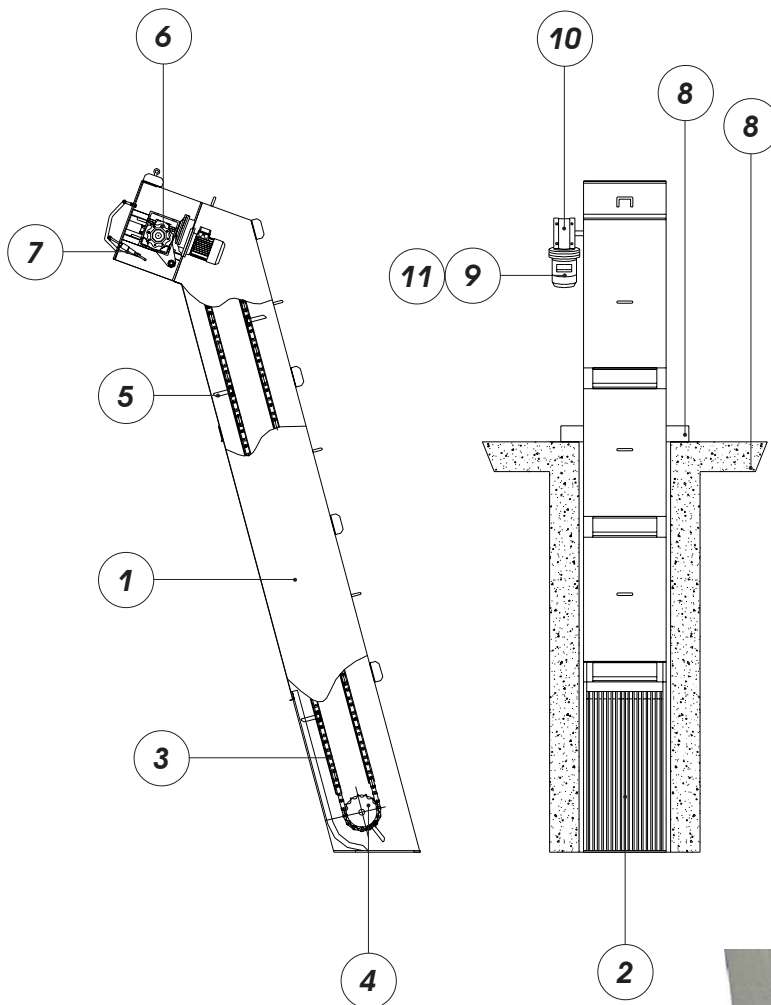
GVR/PC model



* Machine standard inclination: 85°

n.b.: the manufacturer may modify some dimensions or sizes without prior information!

II.III SUPPLY COMPONENTS



Bar Screen - GRVIP_PC

- | | |
|----|---|
| 1 | Supporting frame made of press formed painted carbon steel sheets |
| 2 | Filtering surface made of painted carbon steel vertical bars |
| 3 | Rake comb supported by a self-lubricated double chain |
| 4 | Carbon steel sprockets |
| 5 | Rake comb made of AISI304 |
| 6 | Support bearings fitted with chain tension control |
| 7 | Carbon steel scraper fitted with air struts |
| 8 | Supporting brackets |
| 9 | Electric motor |
| 10 | Worm gear gearmotor |
| 11 | Torque limit system |

n.b.: the manufacturer may modify some dimensions or sizes without prior information!

II.IV ACCESSORIES

- Control cabinet.

II.V OPTIONS

- AISI 304 Stainless Steel Construction.

