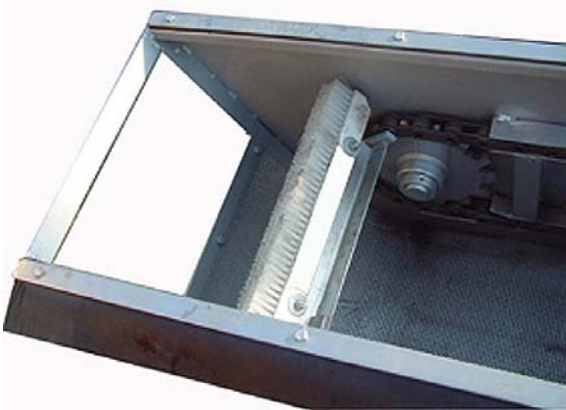


GRV/S - GRV/SC

■ **PERFORATED SCREEN BRUSH CLEANED**



II.I MACHINE DESCRIPTION

Perforated screens are screening units dedicated to the small and mid-size WWTP both industrial or municipal and pumping stations.

The design of these units is particularly effective in channels as one unit combines both the screening and the conveying features discharging directly into a compactor or in a conveyor.

The effluent is filtrated while it flows through the screen, made of perforated steel sheet. The solids having dimension bigger than the holes are captured by the screen. The removal of the screenings is performed by the chain driven brush.

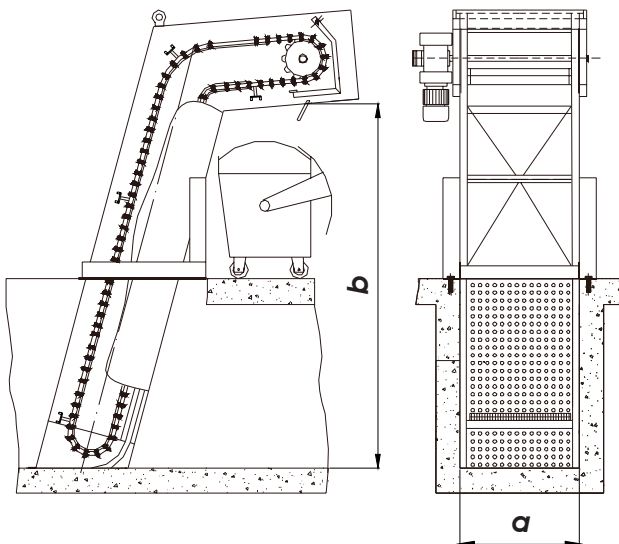
Screenings slide along the screen up to the top to be discharge in front of the screen into the receiving station. The brush is cleaned by a scraper.

The model GRV/SC has a special "S" shape to improve the discharge of the screenings.

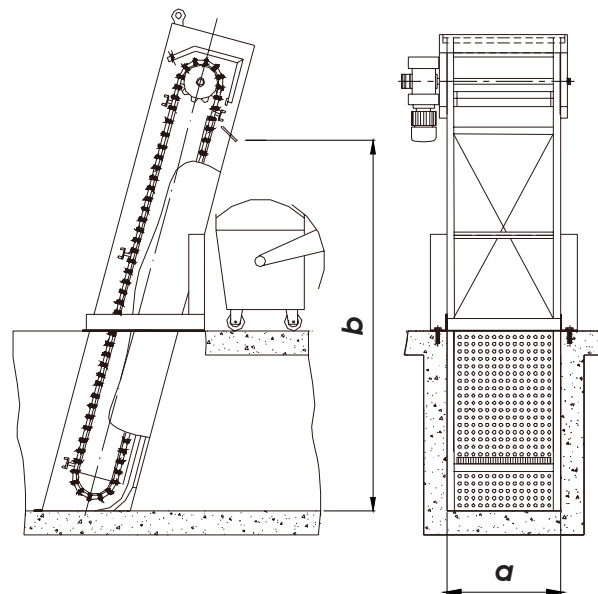
II.II TECHNICAL DATA

	a - mm (Width)	b - mm (Height)	Speed (m/min.)	Installed power (kW)
GRV/S - SC 50	500	2500	4	0.75
GRV/S - SC 60	600		4	0.75
GRV/S - SC 80	800	-	4	0.75
GRV/S - SC 100	1000	6500	4	0.75
GRV/S - SC 120	1200		4	1.10

GRV/SC model



GRV/S model

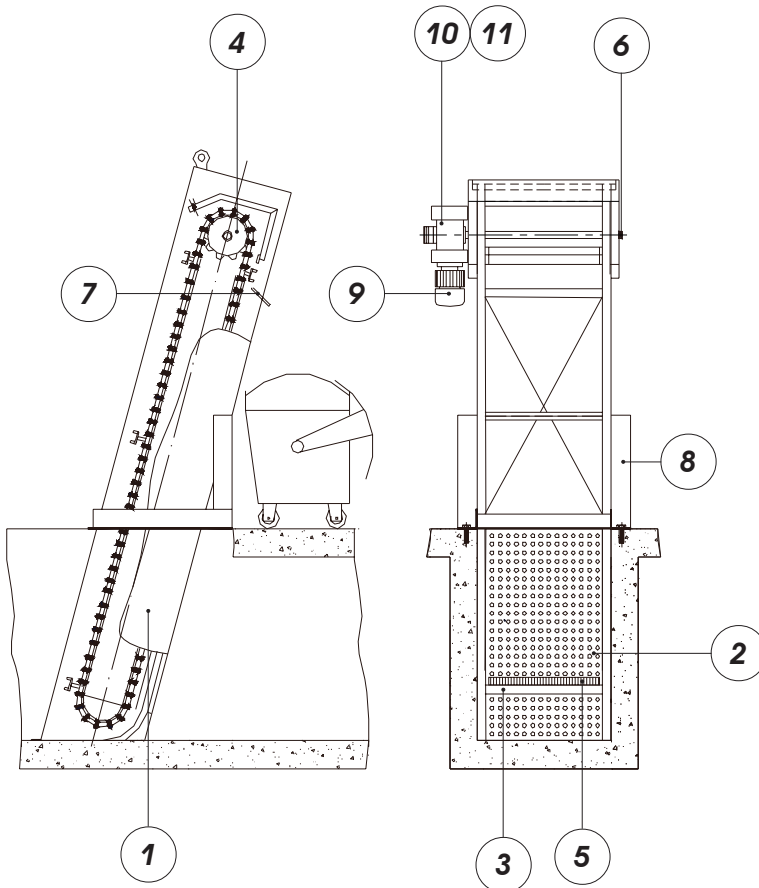


* Machine standard inclination: 85°

n.b.: the manufacturer may modify some dimensions or sizes without prior information!

■ ■ **Perforated Screen Brush Cleaned**

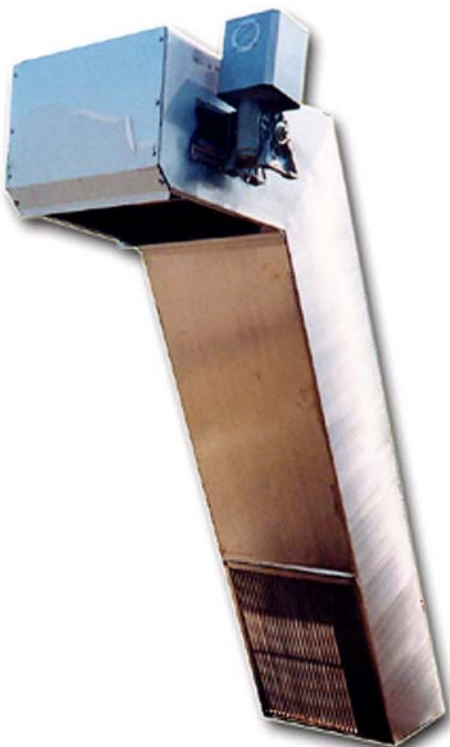
II.III SUPPLY COMPONENTS



Perforated Screen Brush Cleaned - GRV/S_SC

- 1 Supporting frame made of press formed painted carbon steel sheets
- 2 Filtering surface made of painted carbon steel perforated sheet
- 3 Brush supported by a self-lubricated double chain
- 4 Sprocket carbon steel
- 5 Nylon brush
- 6 Support bearings fitted with chain tension control
- 7 Carbon steel scraper fitted with air struts
- 8 Supporting brackets
- 9 Electric motor
- 10 Worm gear gearmotor
- 11 Torque limit system

n.b.: the manufacturer may modify some dimensions or sizes without prior information!



II.IV ACCESSORIES

- Control cabinet.

II.V OPTIONS

- AISI 304 Stainless Steel Construction.