

EF

DISCS FILTER - ECOFILTER

IV.I MACHINE DESCRIPTION

ECOFILTER is a micro filter for waste water and drinking water.
It is made out of a solid AISI304 container with removable covers divided into 3 sections:



- a) Effluent inlet and distribution;
- b) Screening section;
- c) Filtrated effluent collection.

Filtration is realized by pairs of couplet of rotating discs supporting a fine metallic or polymeric mesh having aperture from 1000 down to 20 microns.
The mesh captures the larger solids and captures them between the discs.

The rotating discs grab the accumulated solids and discharge them into the collecting bin. The meshes are backwashed by pressure spray water and by the brushing effect of the solid itself when sliding along the mesh.

A worm-gear gearmotor is coupled to the discs via the supporting shaft (made of AISI304) and is fitted with a mechanical variator to adjust the rotating speed and solids evacuation.

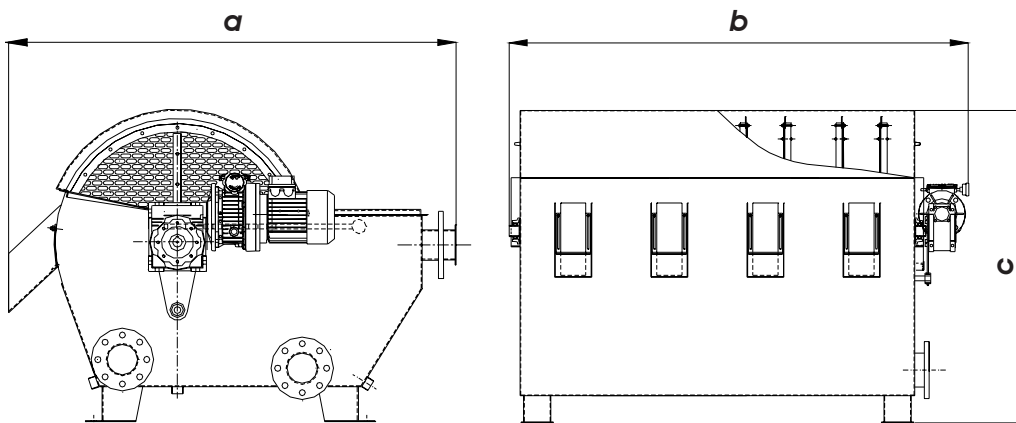
By adjusting the rotation speed between 4 and 21 rpm the dryness of the separated solids can vary up to 20% DS. The seal between the discs and the casing is provided by a very flexible and abrasion resistant polymeric seal.

These seals can be easily removed for maintenance purposes.
The backwash system is operated by 2 sets of spray nozzles fitted on a 1" tube.

IV.I.I MAIN ADVANTAGES

- Continuous automatic solids discharge;
- Self cleaning system;
- Possibility to adjust solids capacity and dryness by adjusting the rotating speed.

IV.II TECHNICAL DATA



n.b.: the manufacturer may modify some dimensions or sizes without prior information!

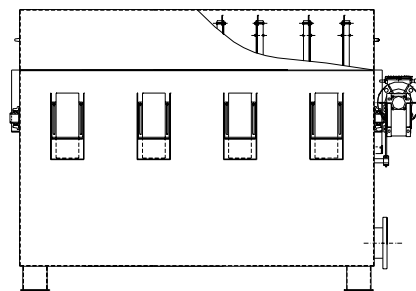
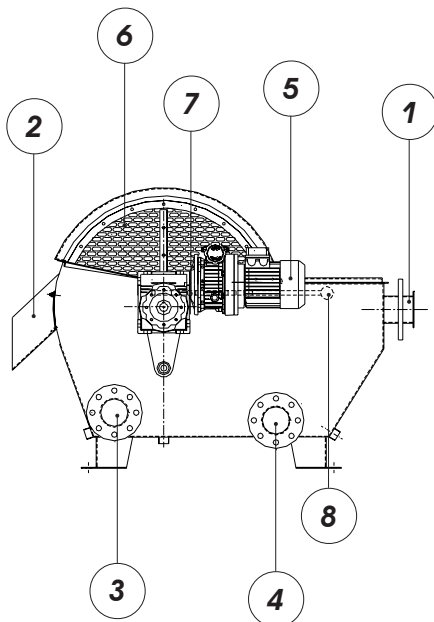
Discs Filter - ECOFILTER



	<i>a</i> - mm (Length)	<i>b</i> - mm (Width)	<i>c</i> - mm (Height)	Hydraulic flow (m ³ /h)	Installed power (kW)
EF 70/1	1200	660	950	35	0.37
EF 70/2	1200	950	950	75	0.75
EF 100/2	1710	950	1420	120	1.10
EF 120/3	2600	1855	1850	260	1.50
EF 120/4	2600	2500	1850	385	2.20

n.b.: capacity is for reference only at aperture 200 µm

IV.III SUPPLY COMPONENTS



Discs Filter - EF

- 1** Inlet
- 2** Sludge outlet
- 3** Water outlet
- 4** Over flow
- 5** Gear motor
- 6** Screen disc
- 7** Spray nozzles
- 8** Washwater inlet

IV.IV ACCESSORIES

Control cabinet and wiring;
Backwash water pressurising pump.

IV.V OPTIONS

- AISI 316 construction.

